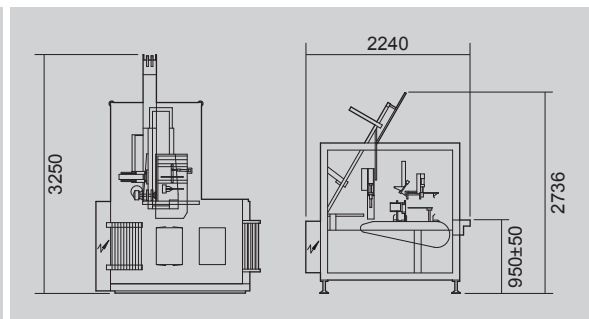
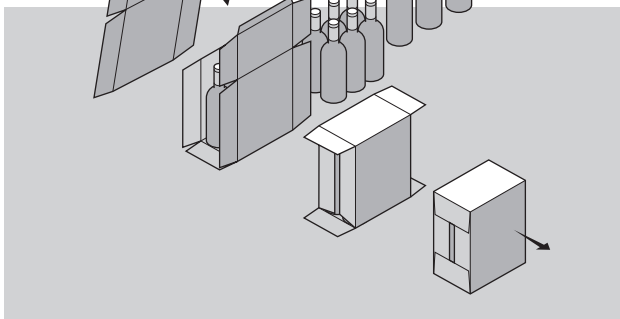
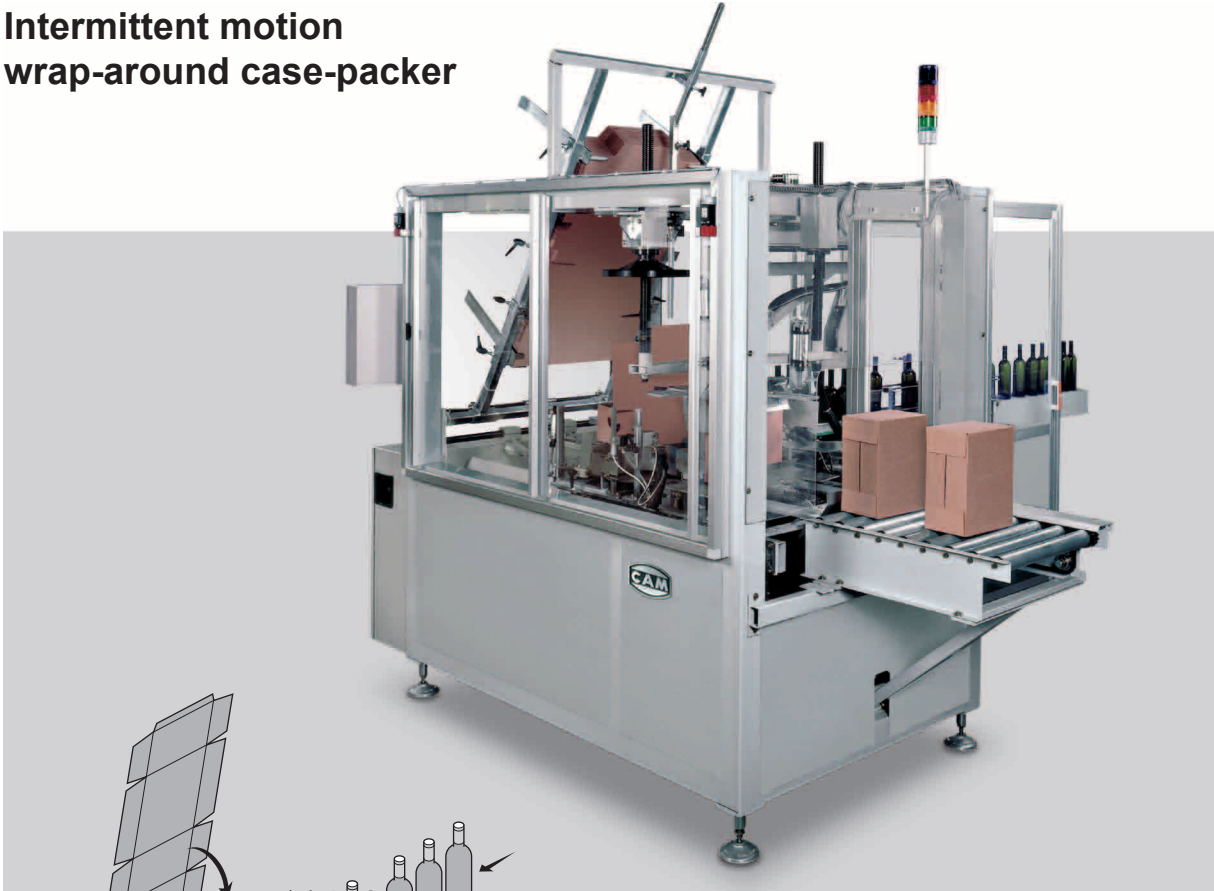




W30

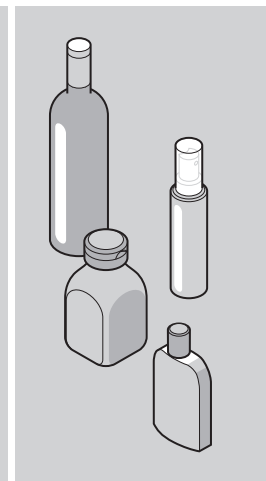
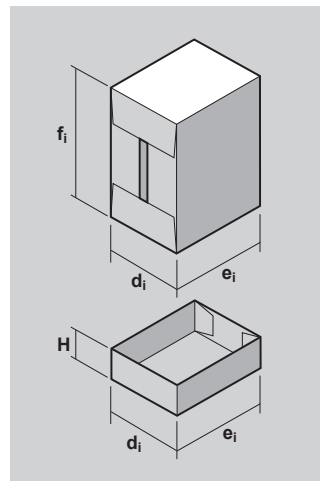


Intermittent motion
wrap-around case-packer



TECHNICAL DATA

| | | |
|-------------------------|-------------------|-------------|
| Mechanical speed | STROKES/1' | 10 |
| Power absorption (max.) | KW | 8 |
| Air consumption | NI/1' | 22 |
| Air pressure | bar | 6 |
| Gross weight | kg | ~1350 |
| Net weight | kg | ~1200 |
| Size range | min. | max. |
| d_i | 100 | 360 |
| e_i | 190 | 500 |
| f_i | 70 | 360 |
| H | 40 | 360 |



The above technical data are not binding and may be subject to change without prior notice.

CM-008-uk (12/11/2014)
Extr. from FM-W30-01-uk (15/04/2014)

This publication supersedes and replaces any previous edition and revision. All rights reserved. No part of this publication may be reproduced, stored in a retrieval system or transmitted in any form or by any means, electronic, mechanical, photocopying, recording or otherwise, without permission of Tecnicam s.r.l. (Bologna - Italy).