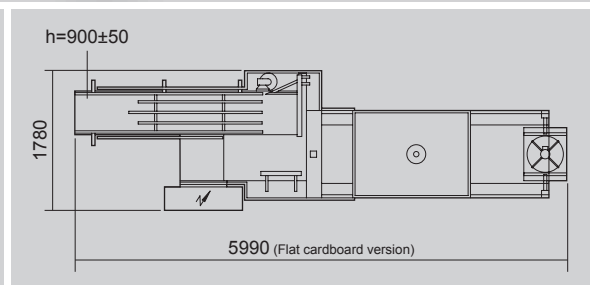
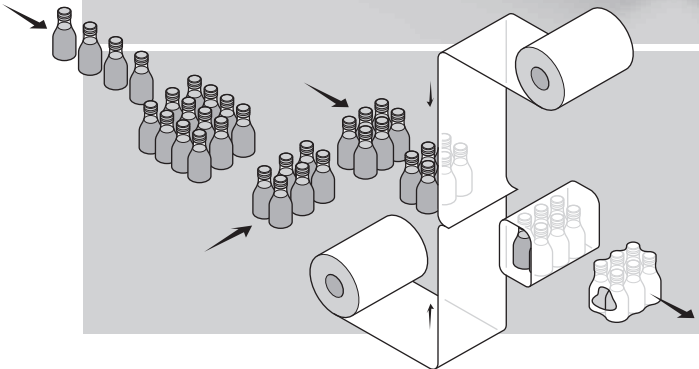
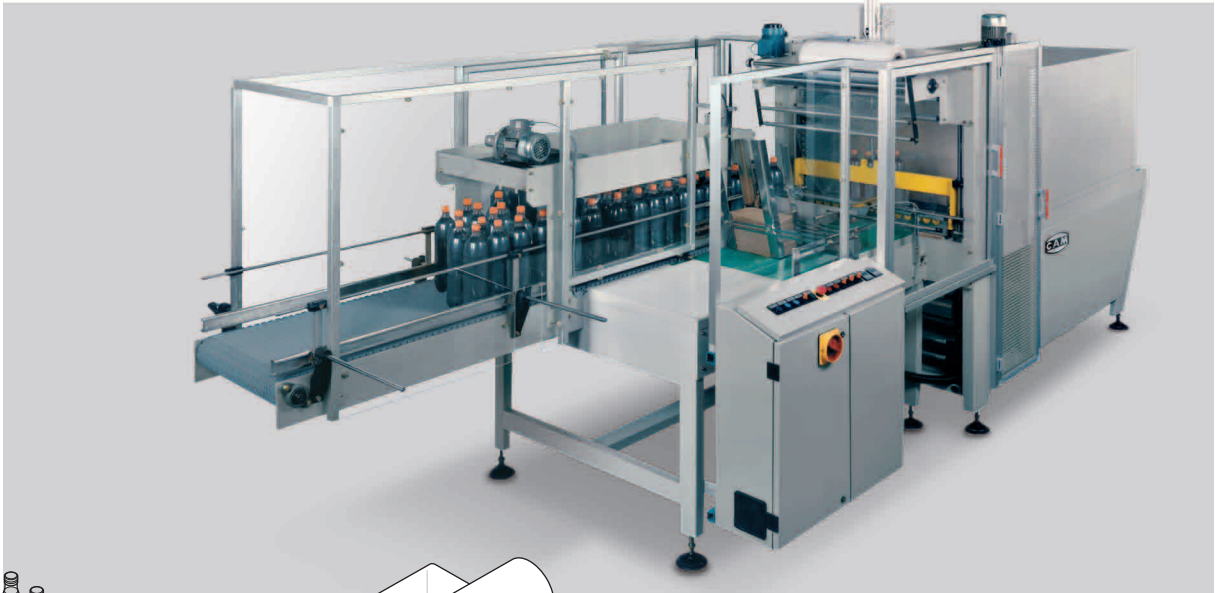




# NV750

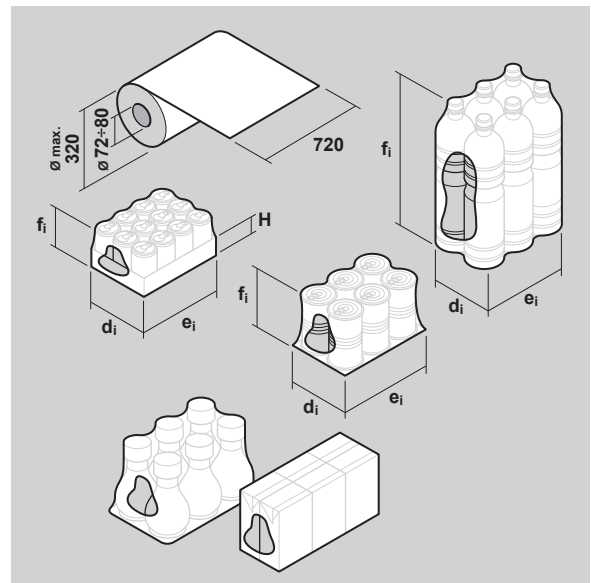
Intermittent motion bundler with shrink-wrapping



## TECHNICAL DATA

Mechanical speed	<b>STROKES/1'</b>	10÷17
Power absorption	<b>KW</b>	13
Air consumption	<b>NI/1'</b>	13
Air pressure	<b>bar</b>	6
Gross weight	<b>kg</b>	~1250
Net weight	<b>kg</b>	~1100

Size range	min.	max.
$d_i$	100	400
$e_i$	200	435
$f_i$	50	360
$H$	30	80
$d_i+e_i$	-	700
$d_i+H$	230	440
$f_i+H$	130	440



The above technical data are not binding and may be subject to change without prior notice.

CM-008-uk (12/11/2014)  
Extr. from FM-NV750-02-uk (10/11/2014)

This publication supersedes and replaces any previous edition and revision. All rights reserved. No part of this publication may be reproduced, stored in a retrieval system or transmitted in any form or by any means, electronic, mechanical, photocopying, recording or otherwise, without permission of Tecnicam s.r.l. (Bologna - Italy).