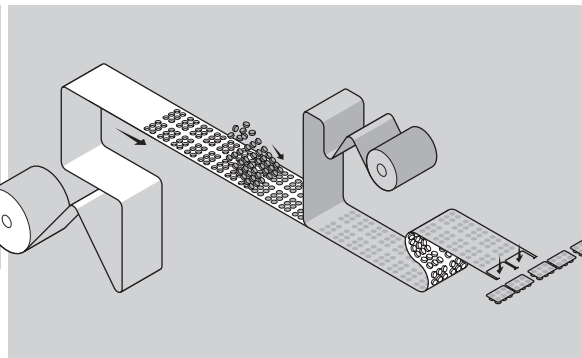
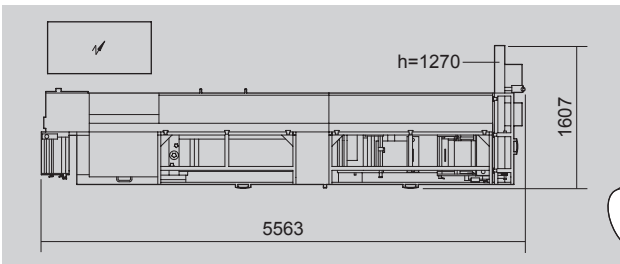


# MK33

High speed blister packaging machine with plate sealing



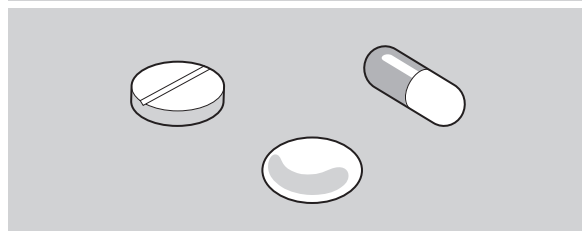
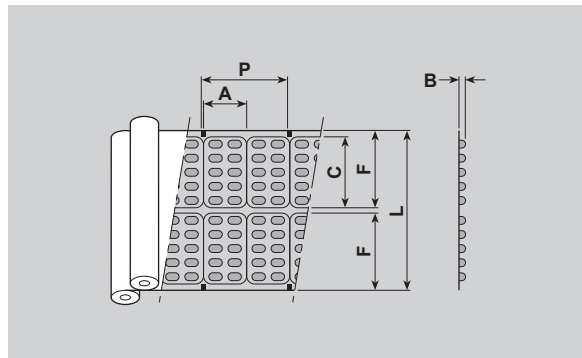
## TECHNICAL DATA

Production up to	<b>BLISTERS/1'</b>	480 (600)
Mechanical speed	<b>STROKES/1'</b>	20+60
Power absorption (max.)	<b>KW</b>	15
Air consumption	<b>NI/1'</b>	500
Air pressure	<b>bar</b>	6
Net weight	<b>kg</b>	~4500

Size range	min.	max.
<b>L</b> Web width (mm)	90	333
<b>P</b> Stroke length (mm)	70	220
<b>A</b> Blister width (mm)	30	90
<b>B</b> Forming depth (mm)	3	12
<b>C</b> Blister length (mm)	60	-
<b>F</b> Blister rows across the web	1	3
Blister rows along the pitch ( <b>N</b> )	1	4
Number of blisters per cycle ( <b>G</b> )	1	12

**Forming materials** PVC; PVC+PVDC; TRIPLEX; COC; ACLAR; ALU

The above technical data are not binding and may be subject to change without prior notice.



CM-008-uk (12/11/2014)  
Extr. from FM-MK33-02-uk (10/11/2014)

This publication supersedes and replaces any previous edition and revision. All rights reserved. No part of this publication may be reproduced, stored in a retrieval system or transmitted in any form or by any means, electronic, mechanical, photocopying, recording or otherwise, without permission of Tecnicam s.r.l. (Bologna - Italy).