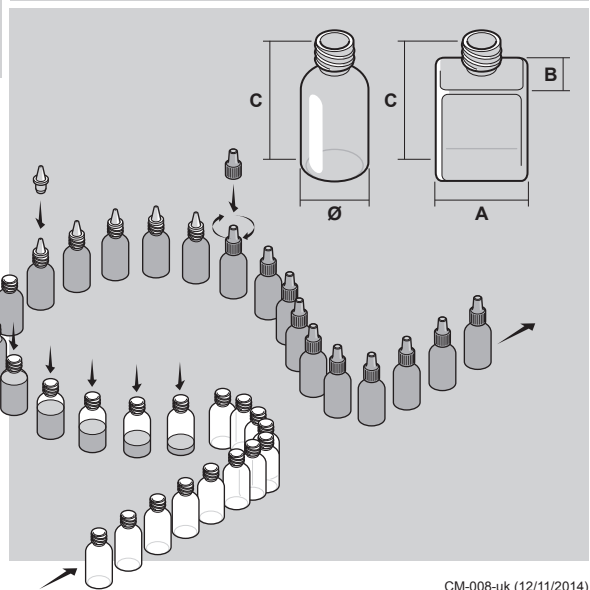
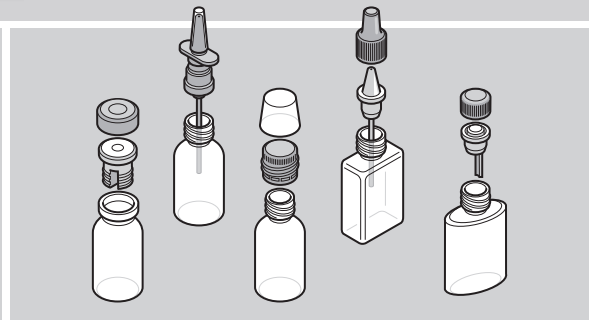
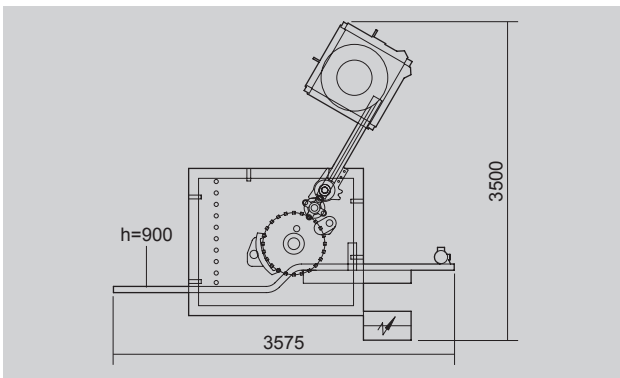
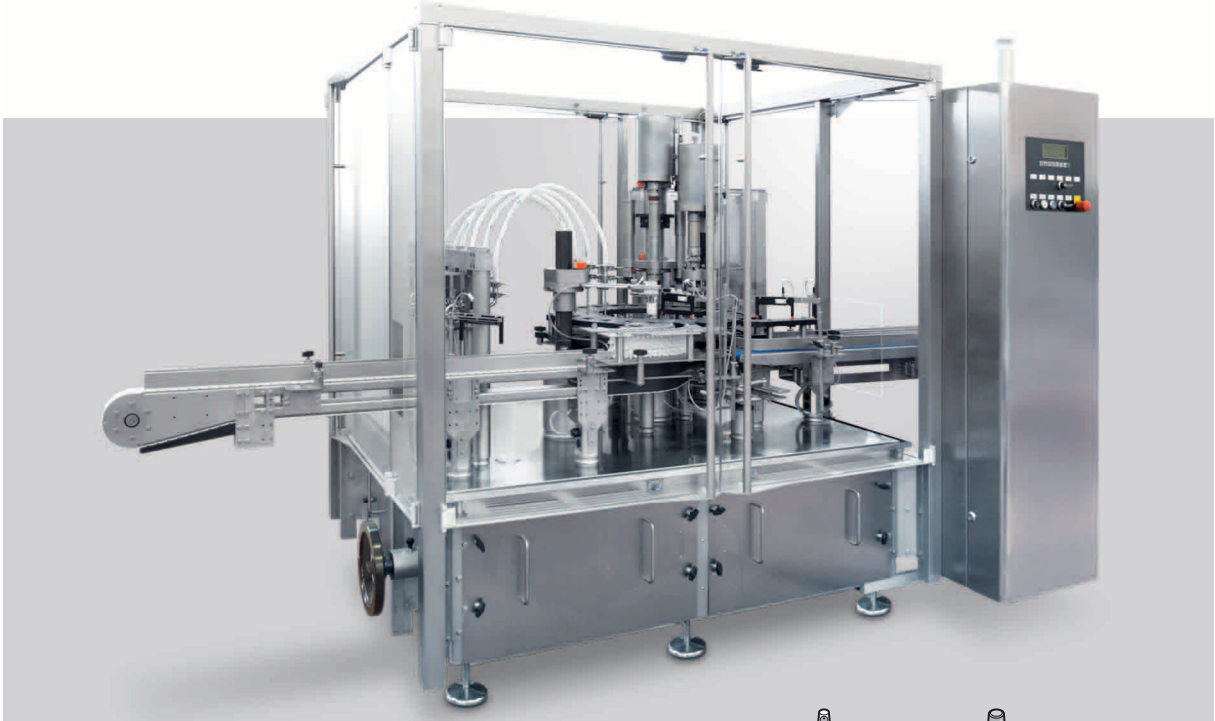




# LA

## Intermittent motion filling and capping monobloc



### TECHNICAL DATA

Mechanical speed	<b>STROKES/1'</b>	90
Power absorption	<b>KW</b>	4.5
Air consumption	<b>NI/1'</b>	200
Air pressure	<b>bar</b>	5+6
Gross weight	<b>kg</b>	~1950
Net weight	<b>kg</b>	~1400
Size range	<b>min.</b>	<b>max.</b>
<b>A</b>	20	70
<b>B</b>	15	80
<b>Ø</b>	15	80
<b>C</b>	35	180

The above technical data are not binding and may be subject to change without prior notice.

CM-008-uk (12/11/2014)  
Extr. from FM-LA-02-uk (10/11/2014)

This publication supersedes and replaces any previous edition and revision. All rights reserved. No part of this publication may be reproduced, stored in a retrieval system or transmitted in any form or by any means, electronic, mechanical, photocopying, recording or otherwise, without permission of Tecnicam s.r.l. (Bologna - Italy).