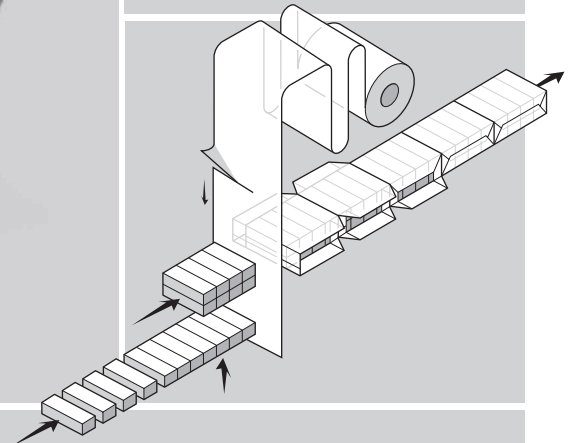
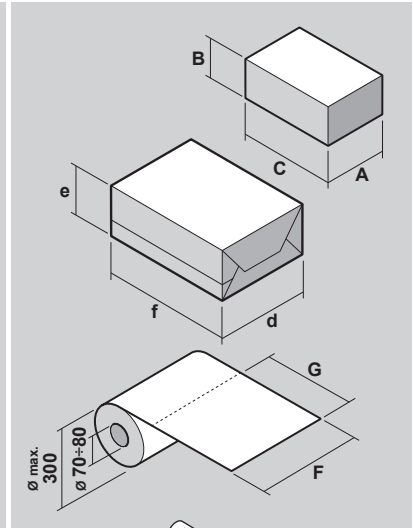




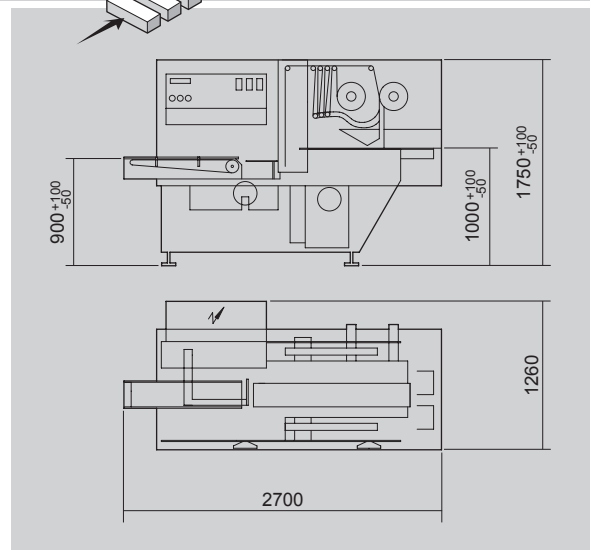
# G35

Bundler with complete overwrapping



## TECHNICAL DATA

|                  |                   |             |
|------------------|-------------------|-------------|
| Mechanical speed | <b>STROKES/1'</b> | 35          |
| Power absorption | <b>KW</b>         | 3.5         |
| Gross weight     | <b>kg</b>         | ~1830       |
| Net weight       | <b>kg</b>         | ~1350       |
| Size range       | <b>min.</b>       | <b>max.</b> |
| <b>A</b>         | 20                | 300         |
| <b>B</b>         | 12                | 85          |
| <b>C</b>         | 50                | 200         |
| <b>d</b>         | 50                | 300         |
| <b>e</b>         | 30                | 150         |
| <b>f</b>         | 50                | 300         |
| <b>F</b>         | 95                | 460         |
| <b>G</b>         | 210               | 925         |



The above technical data are not binding and may be subject to change without prior notice.

CM-008-uk (12/11/2014)  
Extr. from FM-G35-02-uk (10/11/2014)

This publication supersedes and replaces any previous edition and revision. All rights reserved. No part of this publication may be reproduced, stored in a retrieval system or transmitted in any form or by any means, electronic, mechanical, photocopying, recording or otherwise, without permission of Tecnicam s.r.l. (Bologna - Italy).