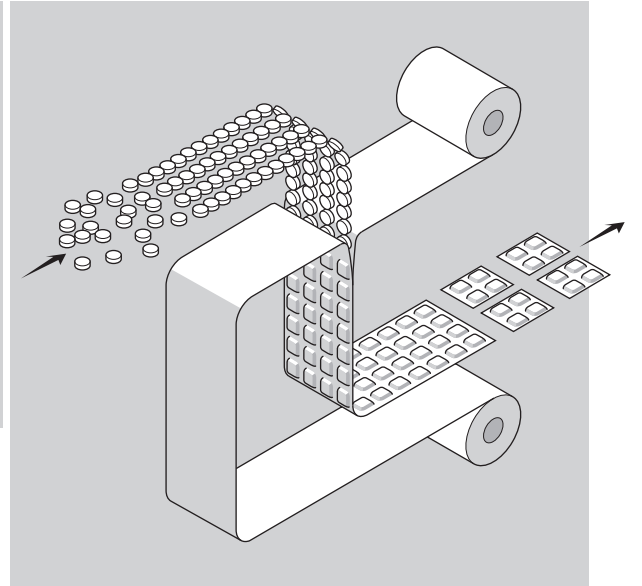
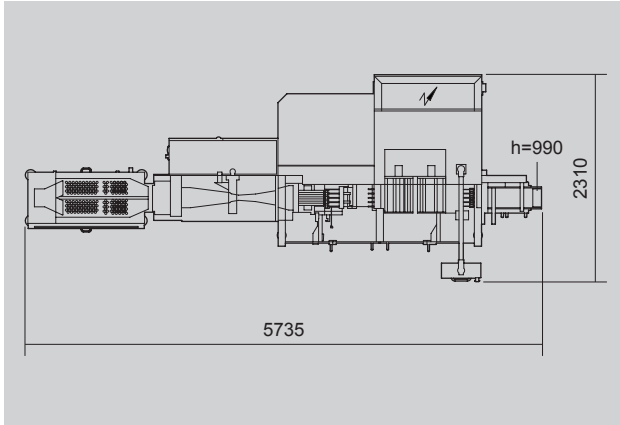
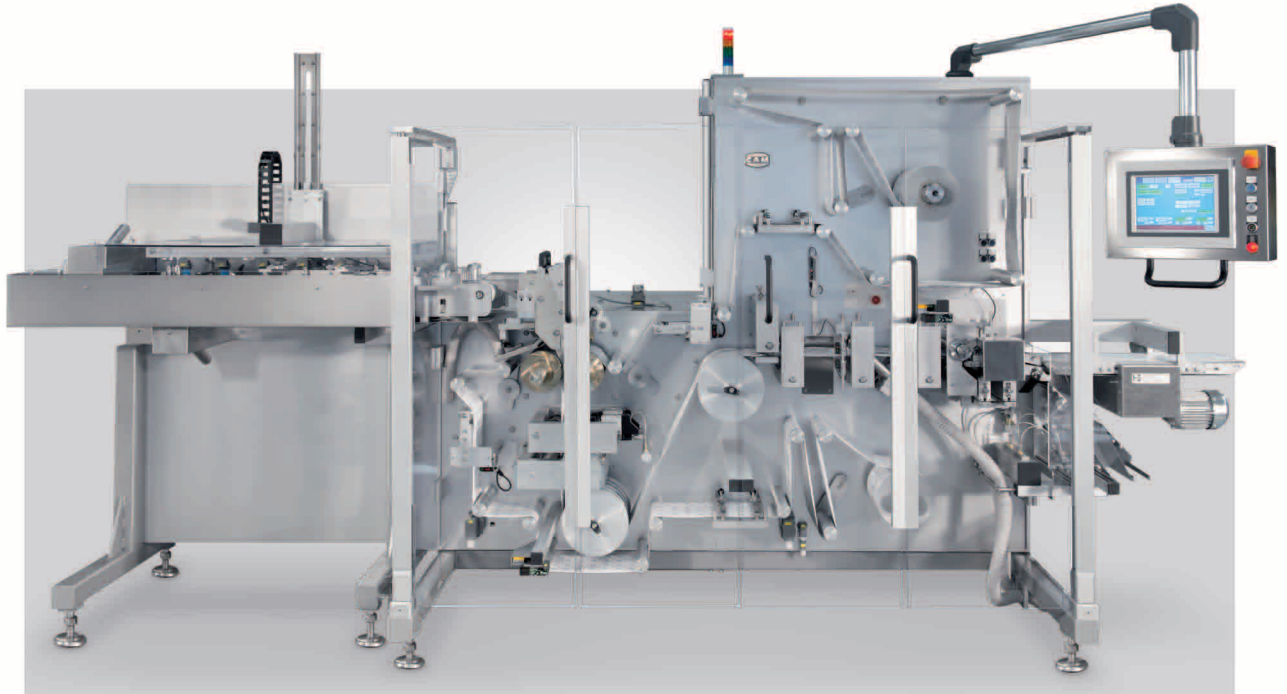




5000EH

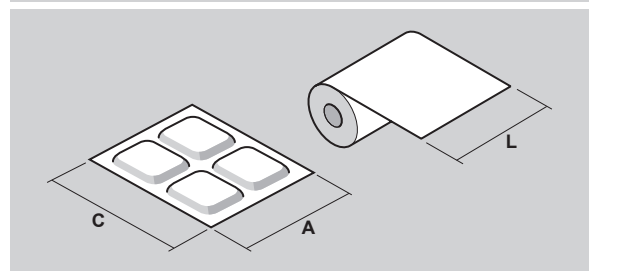
High speed strip packaging horizontal machine



TECHNICAL DATA

5000/200EH 5000/400EH

Mechanical speed	STROKES/1'	300	300 (Depending on package size)
Power absorption	KW	9	12
Air consumption	NI/1'	180	180
Air pressure	bar	9÷8	6÷8
Gross weight	kg	~2500	~3000
Size range	min.	max.	
A	35	60	
C	Programmable	Programmable	
L (Reel width)	200	400	



The above technical data are not binding and may be subject to change without prior notice.

CM-008-uk (12/11/2014)
Extr. from FM-5000EH-01-uk (10/11/2014)

This publication supersedes and replaces any previous edition and revision. All rights reserved. No part of this publication may be reproduced, stored in a retrieval system or transmitted in any form or by any means, electronic, mechanical, photocopying, recording or otherwise, without permission of Tecnicam s.r.l. (Bologna - Italy).