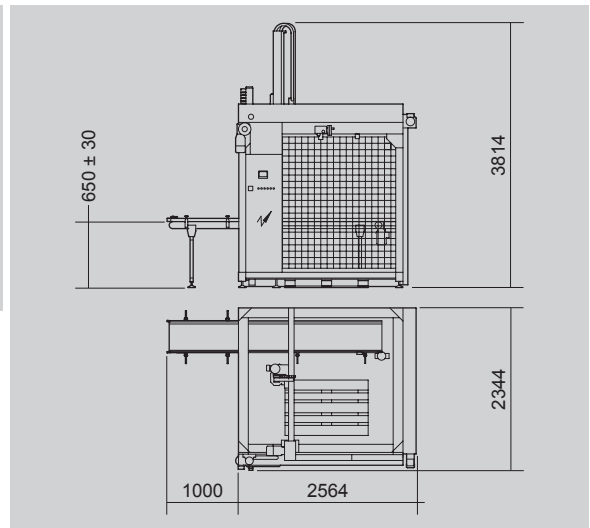
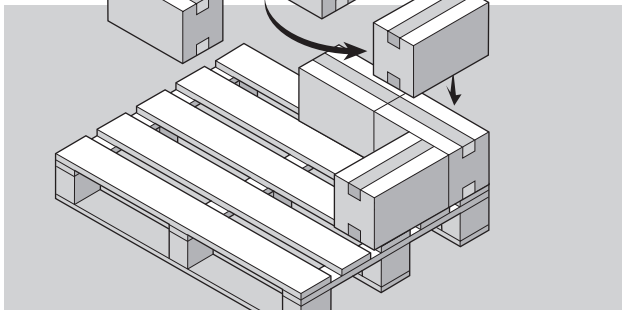




ZP EASY

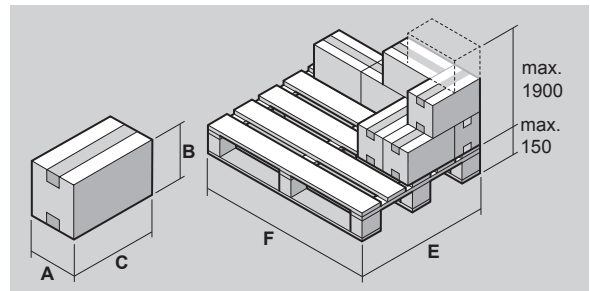
Palletizer for shipping cases



TECHNICAL DATA

Mechanical speed	STROKES/1'	max. 12
Power absorption (max.)	KW	2
Air consumption	NI/Cycle	5
Air pressure	bar	6
Gross weight	kg	~1250
Net weight	kg	~750

Size range	min.	max.
A	120	600
B	12	500
C	120	600
E	-	1219
F	-	1219



The above technical data are not binding and may be subject to change without prior notice.

CM-008-uk (12/11/2014)
Extr. from FM-ZPeasy-02-uk (10/11/2014)

This publication supersedes and replaces any previous edition and revision. All rights reserved. No part of this publication may be reproduced, stored in a retrieval system or transmitted in any form or by any means, electronic, mechanical, photocopying, recording or otherwise, without permission of Tecnicam s.r.l. (Bologna - Italy).