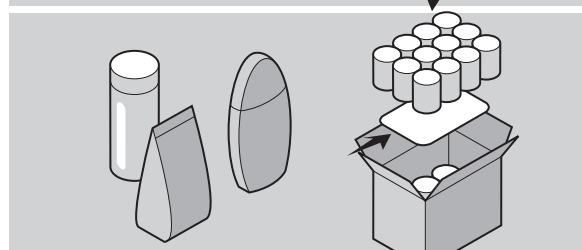
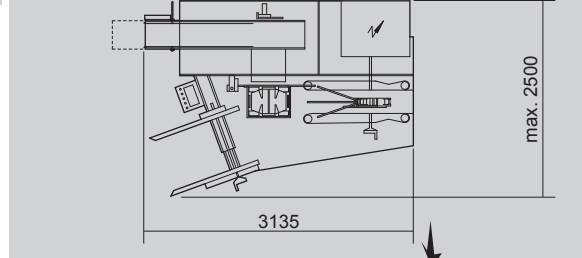
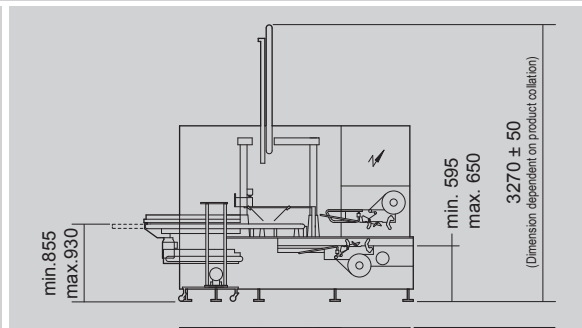
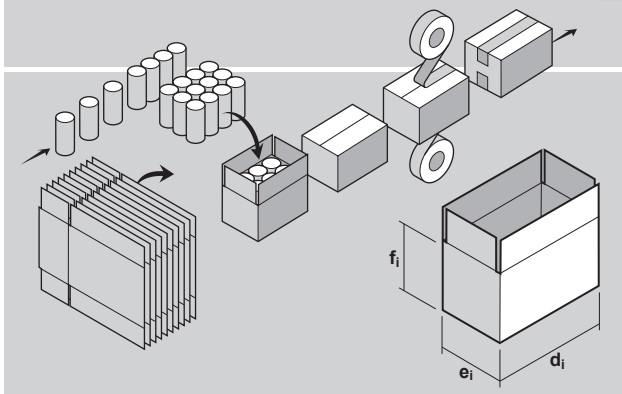


SMV

Vertical case-packer for shipping cases



TECHNICAL DATA		SMV 1	SMV 2
Pick-&-place speed (max.)	STROKES/1'	20	40
Production up to	CASES/1'	12	15
Power absorption	KW	8	8
		(Hot-melt + 3.2)(Hot-melt + 3.2)	
Air consumption	NI/1'	500	500
Air pressure	bar	6	6
Gross weight	kg	~2300	~2600
Net weight	kg	~1850	~2000
Size range	SMV 1 min. max.	SMV 2 min. max.	
di	200 595	200 595	
ei	120 395	120 395	
fi	105 395	105 395	

The above technical data are not binding and may be subject to change without prior notice.

CM-008-uk (12/11/2014)
Extr. from FM-SMV-02-uk (10/11/2014)

This publication supersedes and replaces any previous edition and revision. All rights reserved. No part of this publication may be reproduced, stored in a retrieval system or transmitted in any form or by any means, electronic, mechanical, photocopying, recording or otherwise, without permission of Tecnicam s.r.l. (Bologna - Italy).