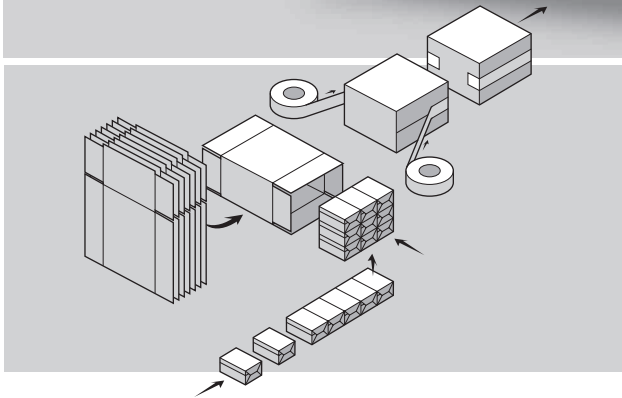
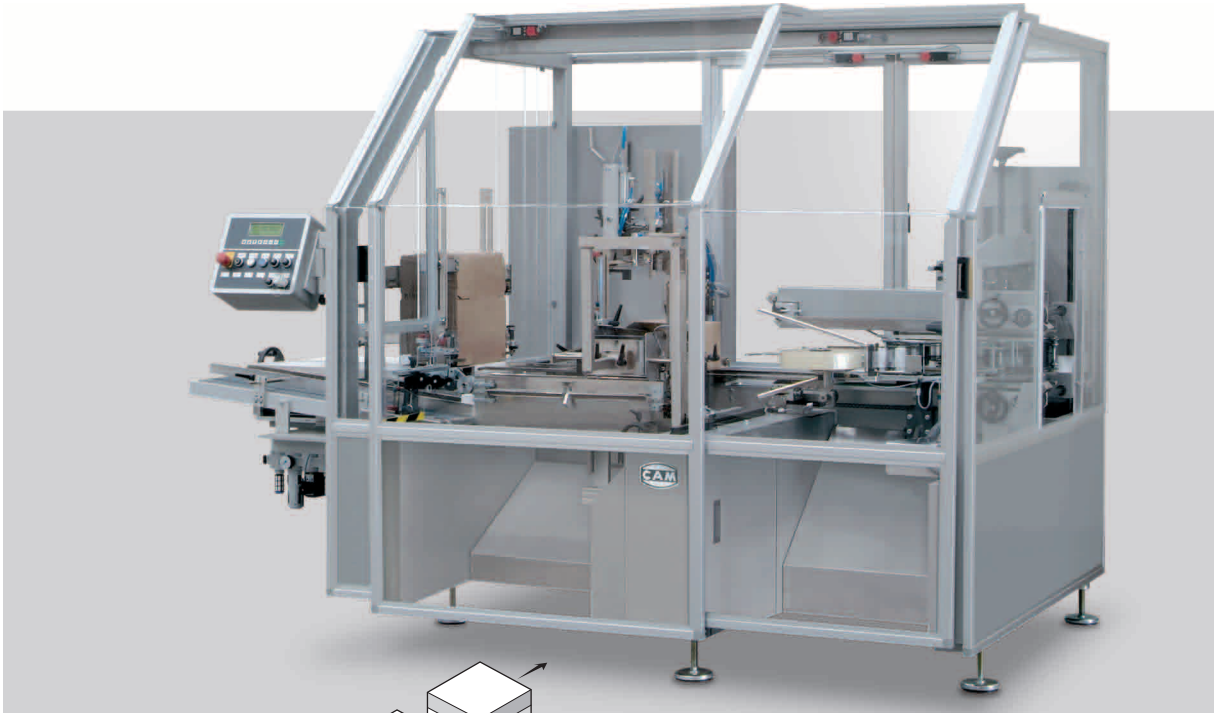




# SMP



Horizontal case-packer for shipping cases

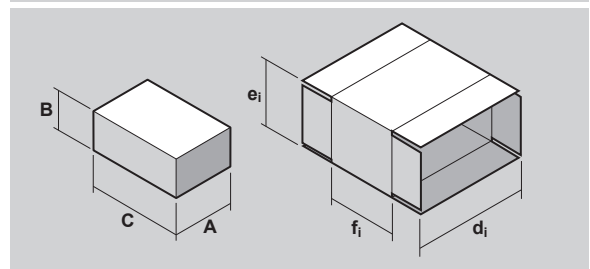
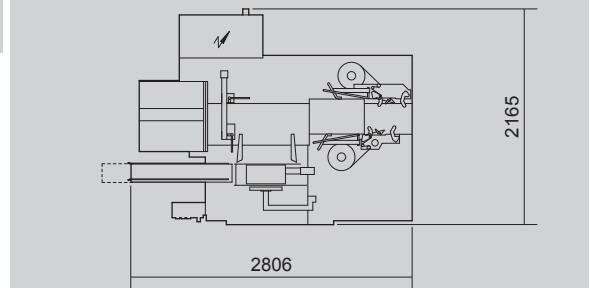
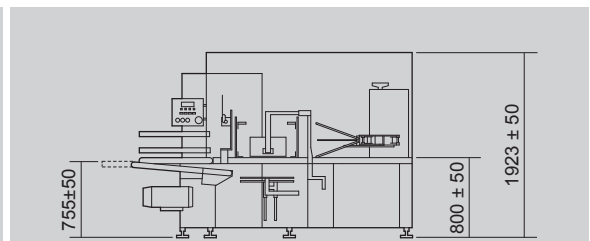


## TECHNICAL DATA

Mechanical speed	<b>STROKES/1'</b>	max. 10
Power absorption	<b>KW</b>	5.6 (Hot-melt + 3.5)
Air consumption	<b>NI/1'</b>	700
Air pressure	<b>bar</b>	5+6
Gross weight	<b>kg</b>	~2150
Net weight	<b>kg</b>	~1750

Size range	<b>min.</b>	<b>max.</b>
<b>A</b>	20	545
<b>B</b>	12	70
<b>C</b>	50	200
<b>d<sub>i</sub></b>	200	550
<b>e<sub>i</sub></b>	120	350
<b>f<sub>i</sub></b>	120	350

The above technical data are not binding and may be subject to change without prior notice.



CM-008-uk (12/11/2014)  
Extr. from FM-SMP-02-uk (10/11/2014)

This publication supersedes and replaces any previous edition and revision. All rights reserved. No part of this publication may be reproduced, stored in a retrieval system or transmitted in any form or by any means, electronic, mechanical, photocopying, recording or otherwise, without permission of Tecnicam s.r.l. (Bologna - Italy).