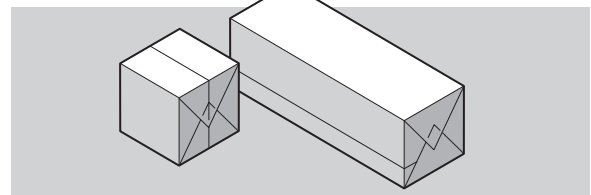
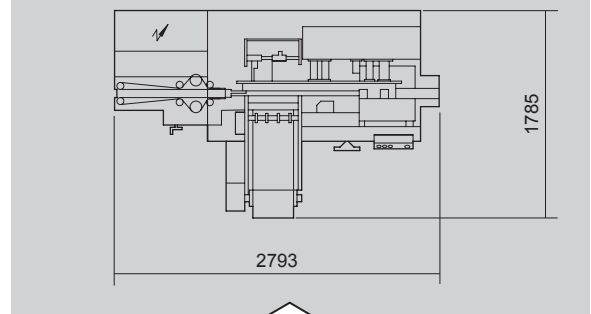
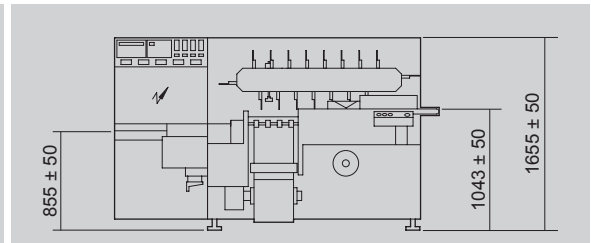
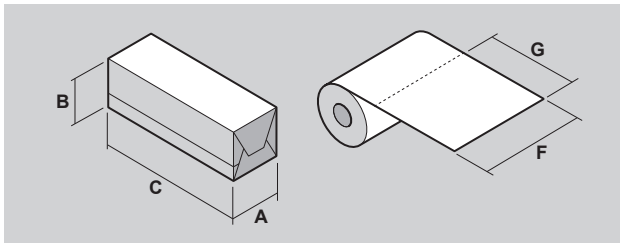
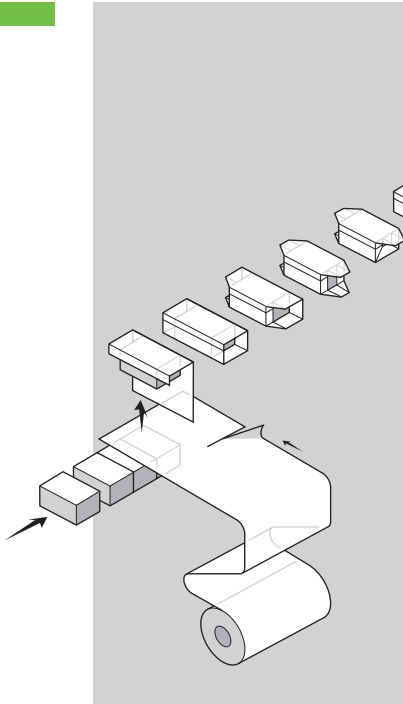




# RVP



High speed continuous motion overwrapper with plate sealing



## TECHNICAL DATA

Mechanical speed	<b>STROKES/1'</b>	max. 150
Power absorption	<b>KW</b>	6
Air consumption	<b>NI/1'</b>	50
Air pressure	<b>bar</b>	6
Gross weight	<b>kg</b>	~2320
Net weight	<b>kg</b>	~1950

Size range	min.	max.
<b>A</b>	35	120
<b>B</b>	15	90
<b>C</b>	60	190
<b>F</b>	90	335
<b>G</b>	80	280

The above technical data are not binding and may be subject to change without prior notice.

CM-008-uk (12/11/2014)  
Extr. from FM-RVP-02-uk (10/11/2014)

This publication supersedes and replaces any previous edition and revision. All rights reserved. No part of this publication may be reproduced, stored in a retrieval system or transmitted in any form or by any means, electronic, mechanical, photocopying, recording or otherwise, without permission of Tecnicam s.r.l. (Bologna - Italy).