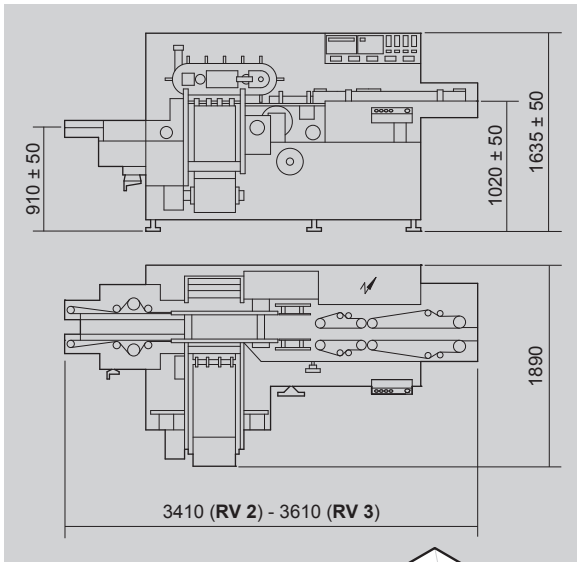
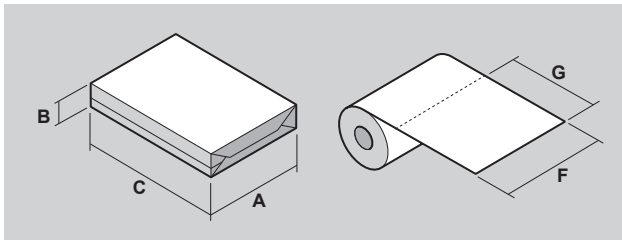
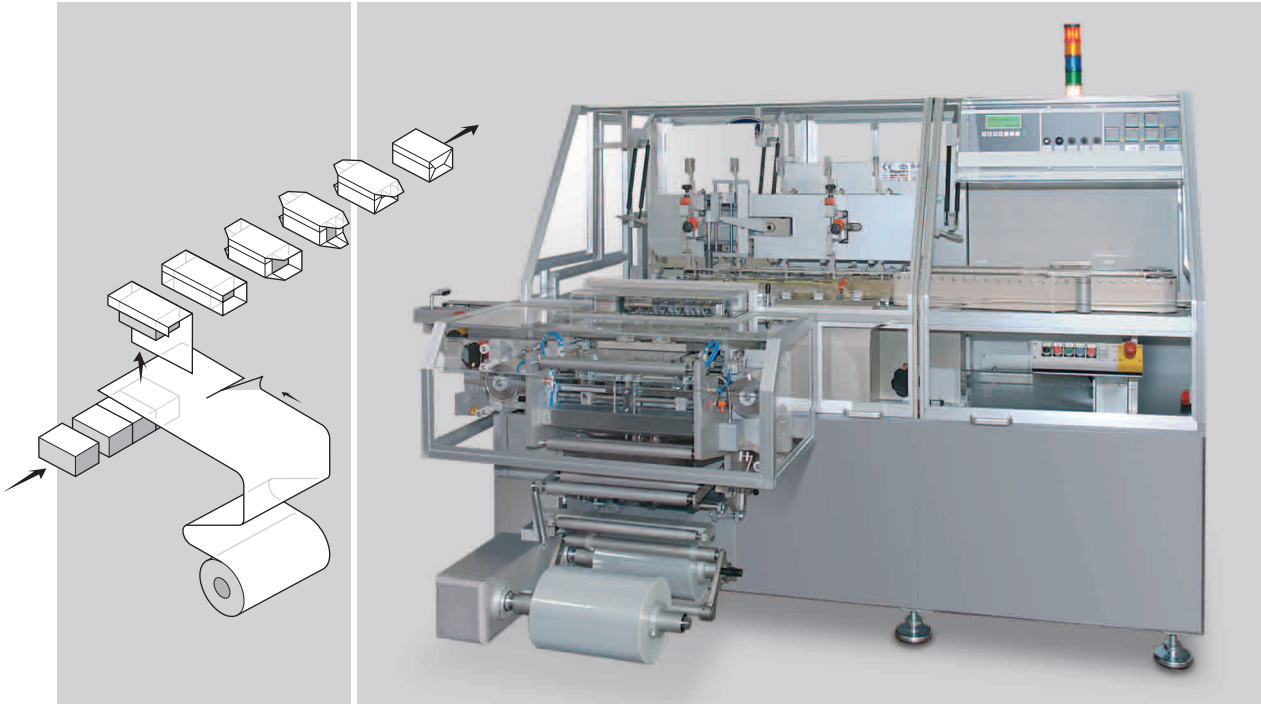


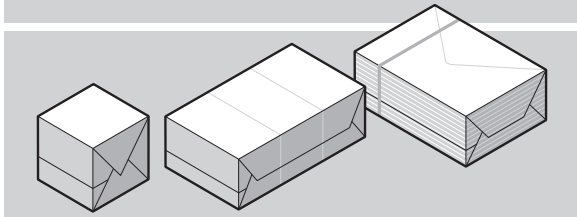
# RV

## High speed continuous motion overwrapper with belt sealing



TECHNICAL DATA		RV 2	RV 3
Mechanical speed	<b>STROKES/1'</b>	max. 230	max. 150
Power absorption (max.)	<b>KW</b>	6	6
Air consumption	<b>NI/1'</b>	50	50
Air pressure	<b>bar</b>	6	6
Gross weight	<b>kg</b>	~2250	~2400
Net weight	<b>kg</b>	~1900	~2000

Size range	RV 2	min.	max.	RV 3	min.	max.
<b>A</b>		40	110		60	190
<b>B</b>		10	50		50	85
<b>C</b>		60	200		90	220
<b>F</b>		90	335		130	580
<b>G</b>		80	280		140	330



The above technical data are not binding and may be subject to change without prior notice.

CM-008-uk (12/11/2014)  
Extr. from FM-RV-02-uk (10/11/2014)

This publication supersedes and replaces any previous edition and revision. All rights reserved. No part of this publication may be reproduced, stored in a retrieval system or transmitted in any form or by any means, electronic, mechanical, photocopying, recording or otherwise, without permission of Tecnicam s.r.l. (Bologna - Italy).