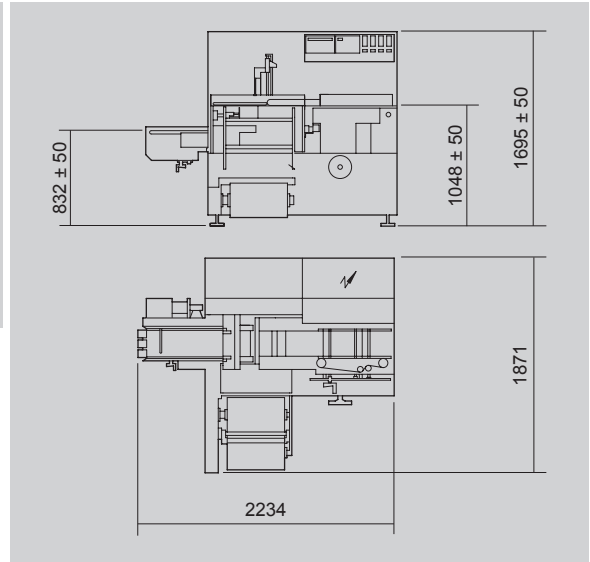
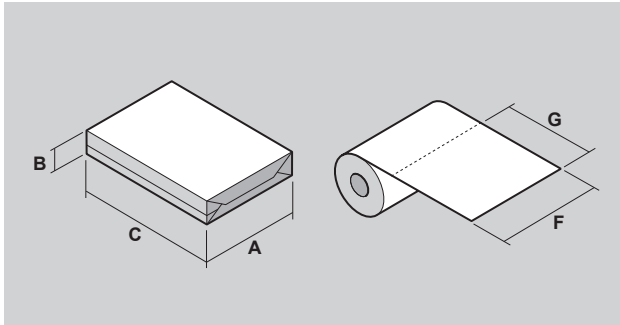
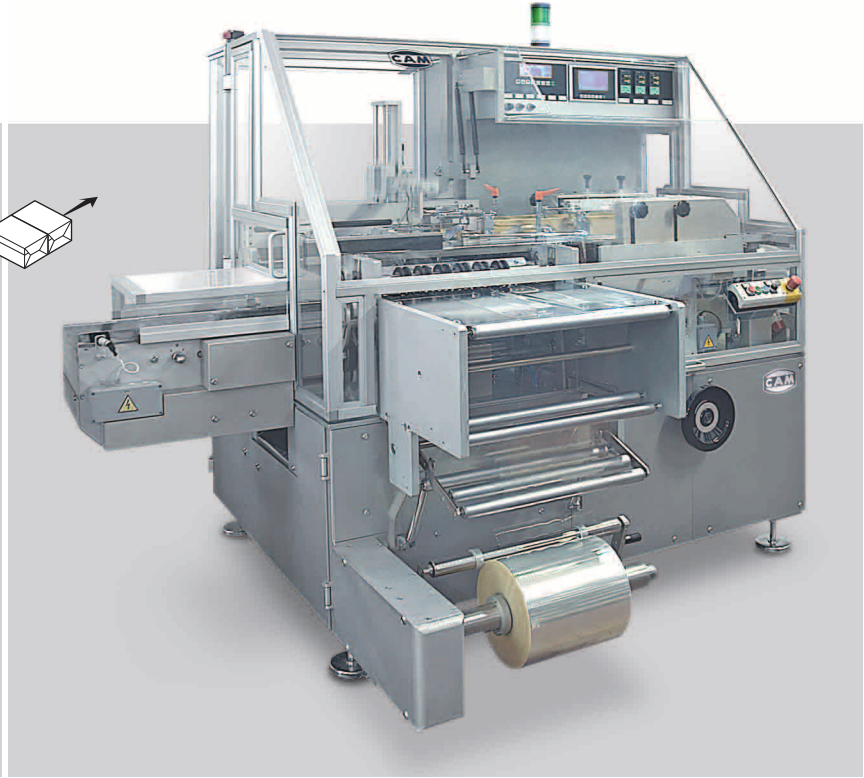
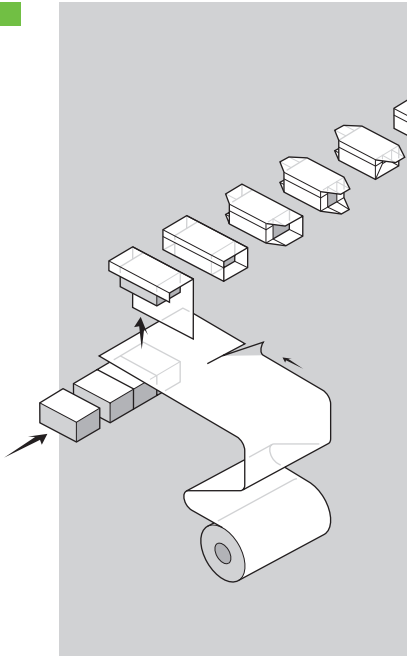




nRT/nRP



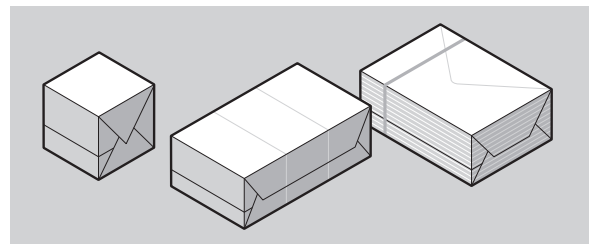
Overwrapper with belt (nRT) or plate (nRP) sealing



TECHNICAL DATA

Mechanical speed	STROKES/1'	20+100
Power absorption (max.)	KW	3.5
Air consumption	NI/1'	16.9
Gross weight	kg	~1800
Net weight	kg	~1500

Size range	min.	max.
A	40	160
B	15	85
C	60	260
F	120	500
G	85	302



The above technical data are not binding and may be subject to change without prior notice.

CM-008-uk (12/11/2014)
Extr. from FM-nRTnRP-02-uk (10/11/2014)

This publication supersedes and replaces any previous edition and revision. All rights reserved. No part of this publication may be reproduced, stored in a retrieval system or transmitted in any form or by any means, electronic, mechanical, photocopying, recording or otherwise, without permission of Tecnicam s.r.l. (Bologna - Italy).