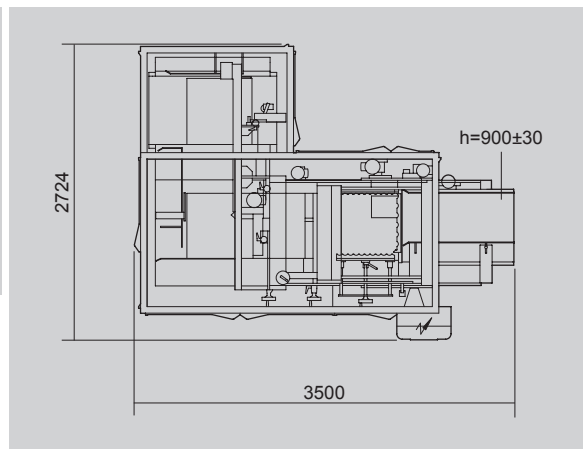
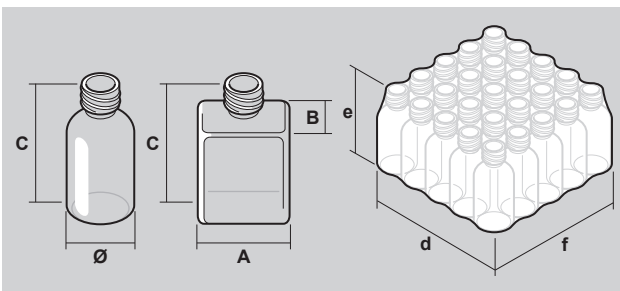
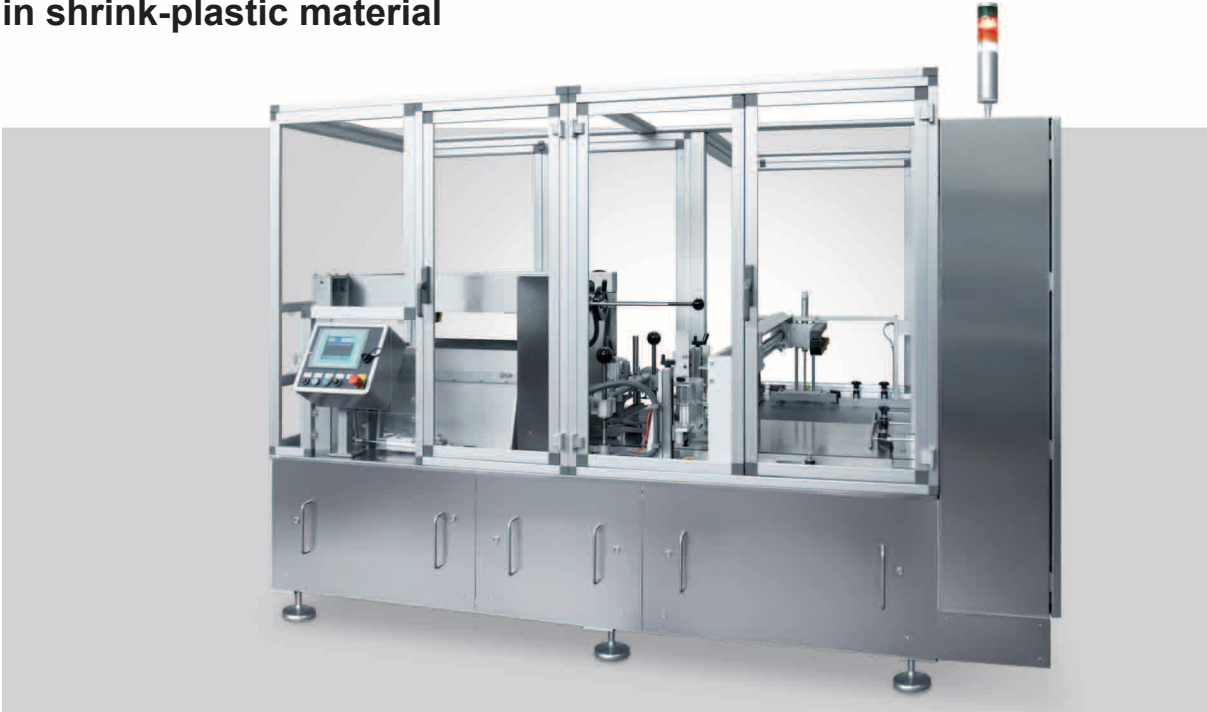


MD

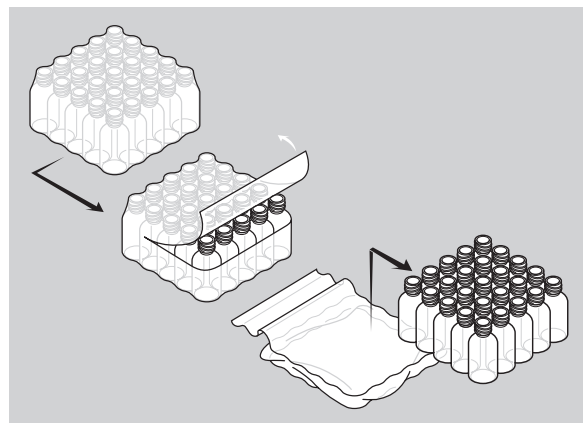
Depacking machine for empty bottles wrapped in shrink-plastic material



TECHNICAL DATA

Mechanical speed	STROKES/1'	max. 5
Power absorption (max.)	KW	4.5
Air consumption	NI/1'	200
Air pressure	bar	5+6
Gross weight	kg	~1800
Net weight	kg	~1300

Size range	min.	max.
A	15	80
B	20	100
Ø	20	100
C	30	180
d	260	600
e	30	180
f	350	450



The above technical data are not binding and may be subject to change without prior notice.

CM-008-uk (12/11/2014)
Extr. from FM-MD-02-uk (10/11/2014)

This publication supersedes and replaces any previous edition and revision. All rights reserved. No part of this publication may be reproduced, stored in a retrieval system or transmitted in any form or by any means, electronic, mechanical, photocopying, recording or otherwise, without permission of Tecnicam s.r.l. (Bologna - Italy).