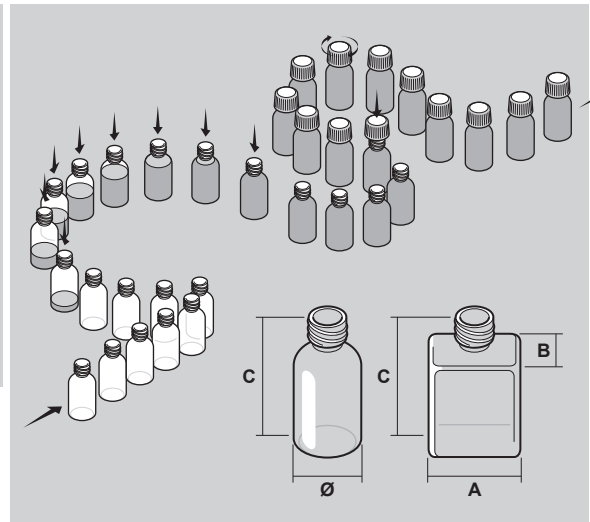
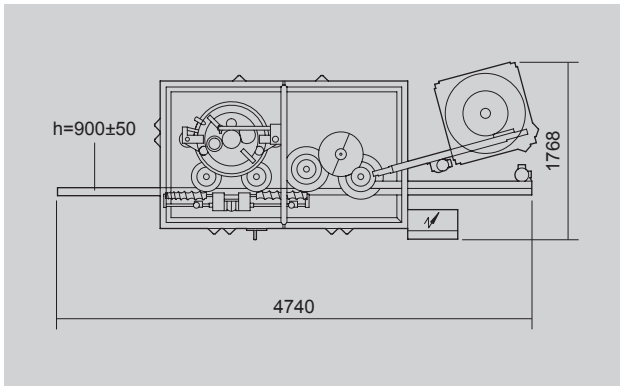


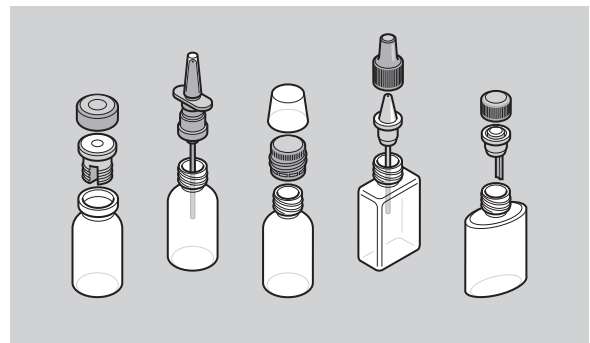


# L112/L212

High speed continuous motion liquid filling and capping monobloc



TECHNICAL DATA		L112	L212
Mechanical speed	<b>STROKES/1'</b>	80+400	80+400
Power absorption	<b>KW</b>	5	7
Air consumption	<b>NI/1'</b>	100	100
Air pressure	<b>bar</b>	5+6	5+6
Gross weight	<b>kg</b>	~2000	~2650
Net weight	<b>kg</b>	~1400	~1950
Size range	<b>min.</b>	<b>max.</b>	
<b>A</b>	15	80	
<b>B</b>	15	80	
<b>Ø</b>	15	80	
<b>C</b>	35	180	



The above technical data are not binding and may be subject to change without prior notice.

CM-008-uk (12/11/2014)  
Extr. from FM-L112L212-02-uk (10/11/2014)

This publication supersedes and replaces any previous edition and revision. All rights reserved. No part of this publication may be reproduced, stored in a retrieval system or transmitted in any form or by any means, electronic, mechanical, photocopying, recording or otherwise, without permission of Tecnicam s.r.l. (Bologna - Italy).