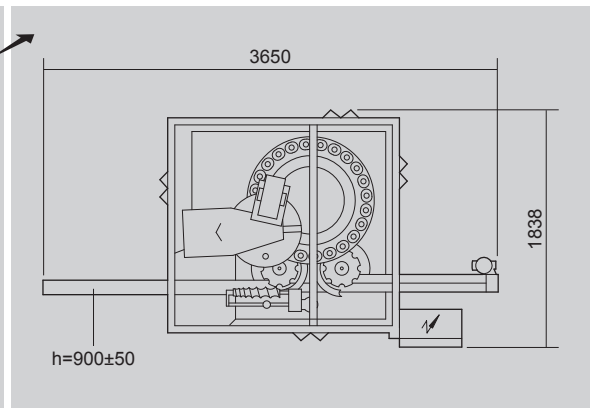
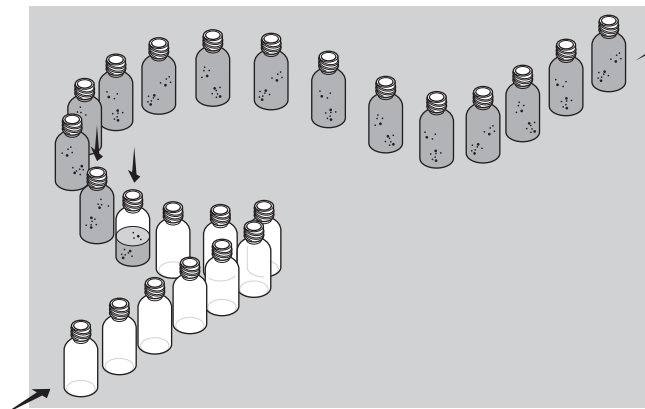




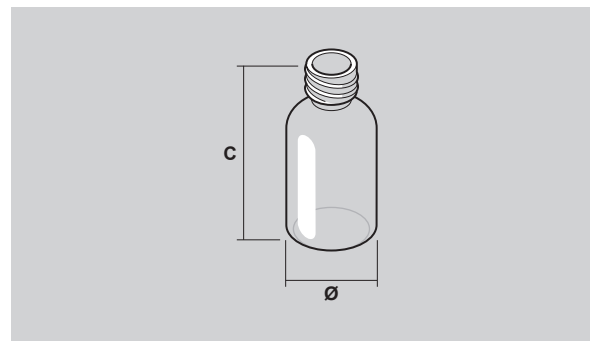
D100

Continuous motion powder dosing machine



TECHNICAL DATA

Mechanical speed	STROKES/1'	150
Power absorption	KW	~3
Net weight	kg	2000
Size range	min.	max.
Doses ml	5	75
Ø	15	65
C	35	150



The above technical data are not binding and may be subject to change without prior notice.

CM-008-uk (12/11/2014)
Extr. from FM-D100-01-uk (15/04/2014)

This publication supersedes and replaces any previous edition and revision. All rights reserved. No part of this publication may be reproduced, stored in a retrieval system or transmitted in any form or by any means, electronic, mechanical, photocopying, recording or otherwise, without permission of Tecnicam s.r.l. (Bologna - Italy).