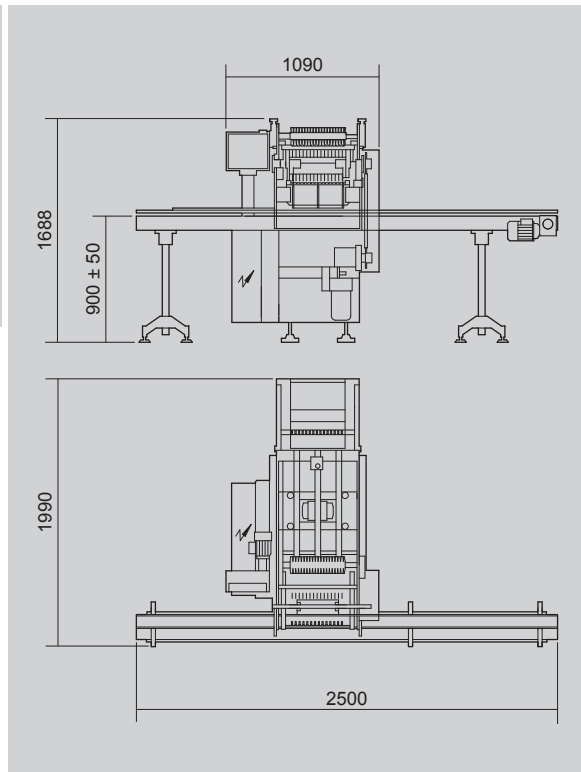
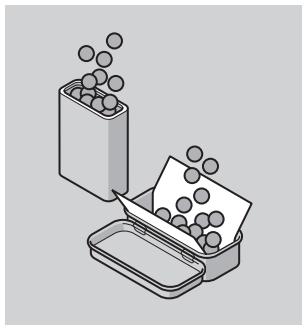
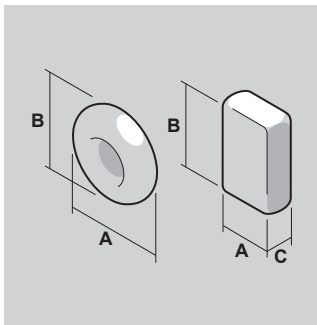
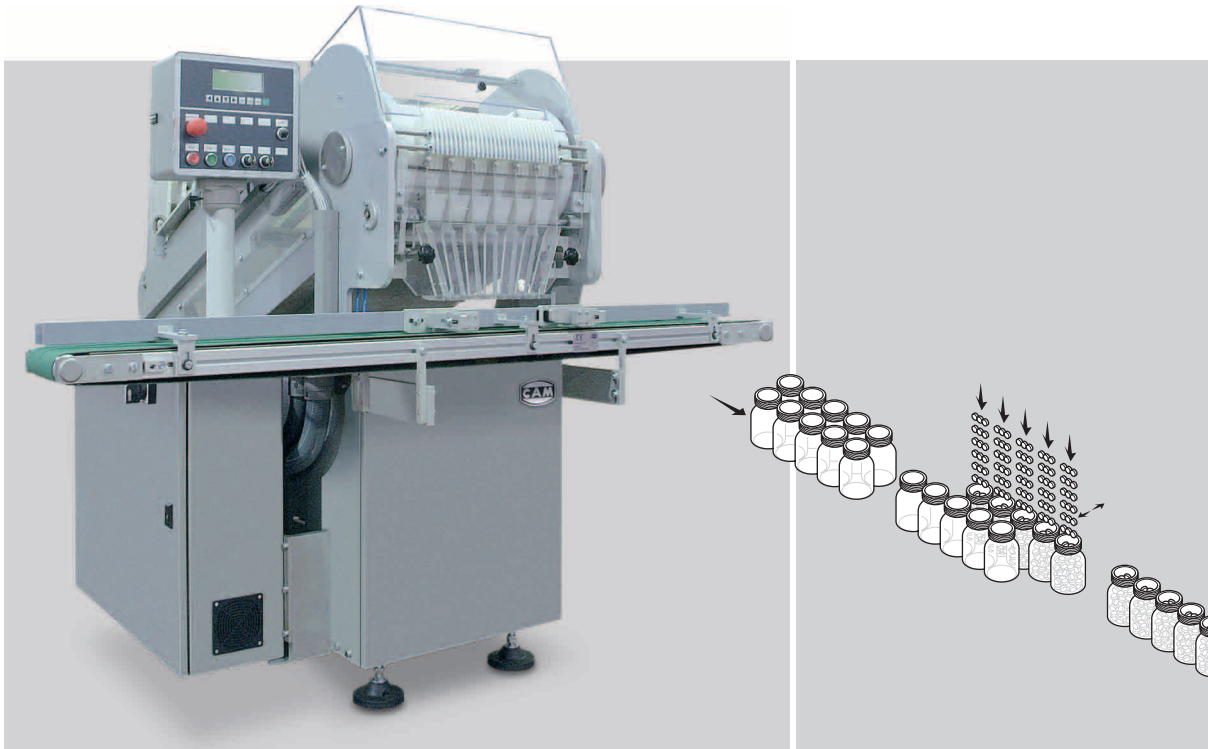


CM

Slat-type counting machine



TECHNICAL DATA

		CM 30	CM 45
Production up to	TABLETS/1'	6000	9000
Power absorption	KW	2.5 (max.)	2.5 (max.)
Air consumption	NI/1'	16.9	16.9
Air pressure	bar	6	6
Gross weight	kg	~700	~1250
Net weight	kg	~600	~830

Size range	CM 30 min.	CM 30 max.	CM 45 min.	CM 45 max.
A	5	20	5	20
B	5	22	5	22
C	2	12	2	12

The above technical data are not binding and may be subject to change without prior notice.

CM-008-uk (12/11/2014)
Extr. from FM-CM-02-uk (10/11/2014)

This publication supersedes and replaces any previous edition and revision. All rights reserved. No part of this publication may be reproduced, stored in a retrieval system or transmitted in any form or by any means, electronic, mechanical, photocopying, recording or otherwise, without permission of Tecnicam s.r.l. (Bologna - Italy).