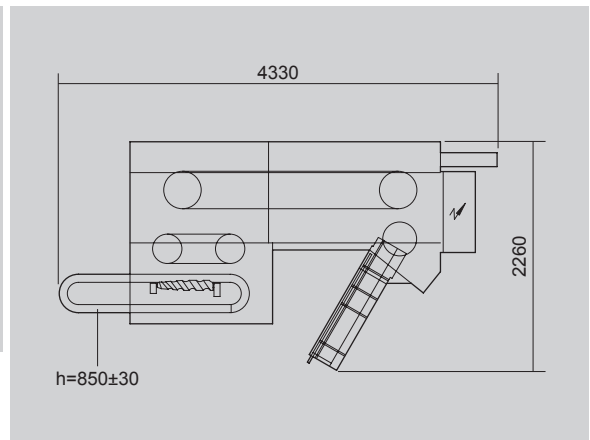
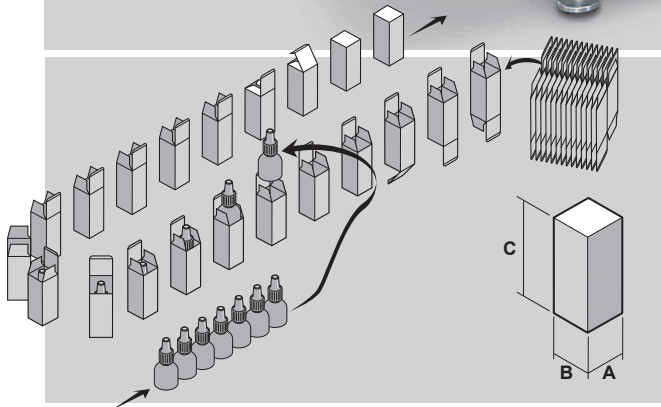




AVC

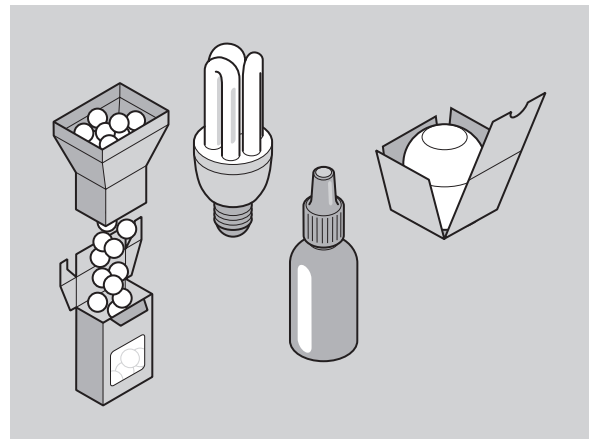


High speed continuous motion vertical cartoner



TECHNICAL DATA		AVC 1	AVC 2
Mechanical speed	STROKES/1'	max. 300	max. 200
Motors	KW	2.75	2.75
Power absorption	KW	3.8 (Hot-melt + 3.9)	3.8 (Hot-melt + 3.9)
Air consumption	NI/1'	16.9	16.9
Air pressure	bar	5+6	5+6
Gross weight	kg	~2400	~2400
Net weight	kg	~2000	~2000

Size range	AVC 1	min.	max.	AVC 2	min.	max.
A		30	65		35	115
B		30	80		30	100
C		55	250		55	250
A + B		-	190		-	190



The above technical data are not binding and may be subject to change without prior notice.

CM-008-uk (12/11/2014)
Extr. from FM-AVC-02-uk (10/11/2014)

This publication supersedes and replaces any previous edition and revision. All rights reserved. No part of this publication may be reproduced, stored in a retrieval system or transmitted in any form or by any means, electronic, mechanical, photocopying, recording or otherwise, without permission of Tecnicam s.r.l. (Bologna - Italy).