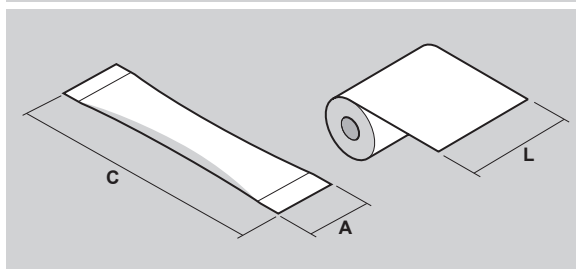
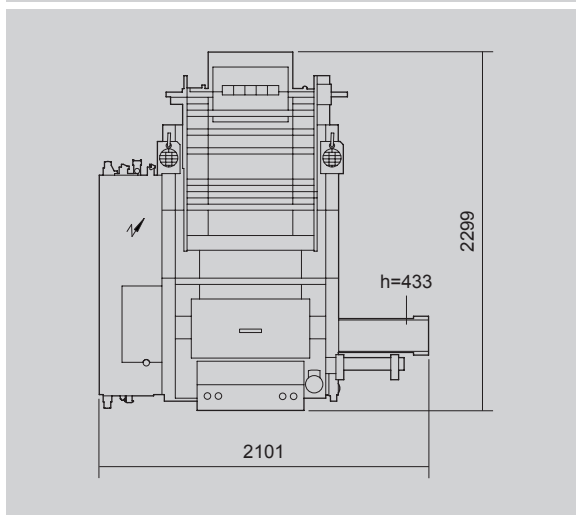
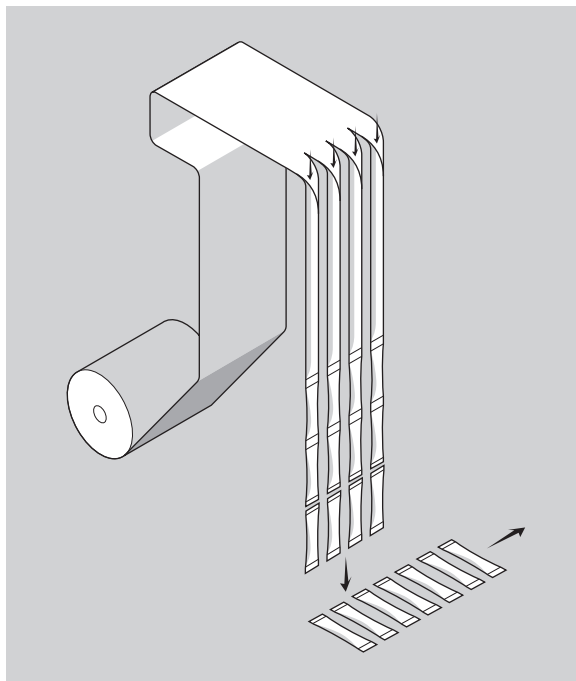


8000/10

High speed stick packaging vertical machine



TECHNICAL DATA

Mechanical speed	STROKES/1'	60 (Depending on package size)
Power absorption (max.)	KW	12
Air consumption	NI/1'	500
Air pressure	bar	6
Gross weight	kg	~1800
Size range	min.	max.
A	15	50
C	40	180
L (Reel width)	-	580

The above technical data are not binding and may be subject to change without prior notice.

CM-008-uk (12/11/2014)
Extr. from FM-800010-01-uk (10/11/2014)

This publication supersedes and replaces any previous edition and revision. All rights reserved. No part of this publication may be reproduced, stored in a retrieval system or transmitted in any form or by any means, electronic, mechanical, photocopying, recording or otherwise, without permission of Tecnicam s.r.l. (Bologna - Italy).